

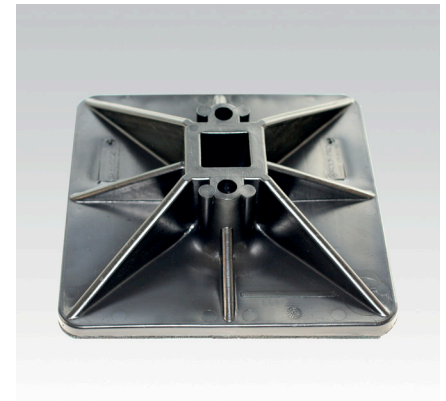
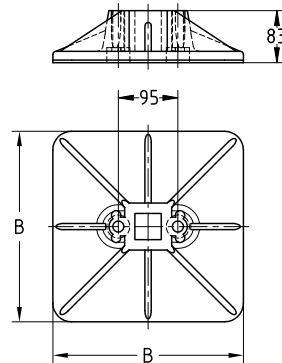
Mounting bases for flat roof installation

Field of application

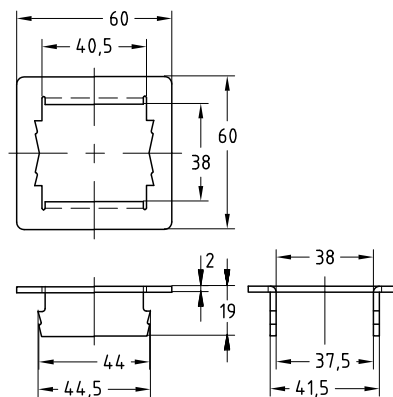
- Installation of pipes, ventilation ducts, cable trays on flat roofs without roof penetration

Advantages

- Fast and easy installation on site for mounting pipes, cable ducts, cable trays etc.
- High level of flexibility in installation
- The size 38/40 MPC-Support channels are inserted into the plastic feet using an adapter
- Load handling without penetrating the roof ski
- Good weight distribution and low deadweight
- Retroactive roof repair is simple



Mounting base

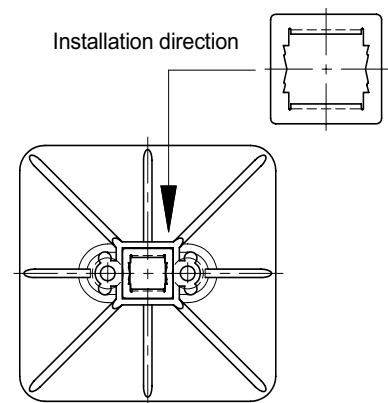


Mounting base adapter

Features

Material	Recycled polypropylene pellets with additives
Temperature range	-30 °C to +55 °C
Max. recommended loading	2,750 N

Installation direction



Dimensions B [mm]	Part no.	Sales unit	Pack unit	weight [kg/piece]
304	155693	1	pieces	2.250
456	155694			4.500

	For support channel	Part no.	Sales unit	Pack unit
Mounting base adapter, hot-dip galvanised	38/40	156892	1	pieces



All effects on the load-bearing building structure and the roof insulation must be checked on site.